

ALRo6

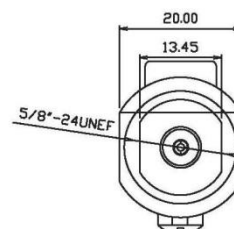
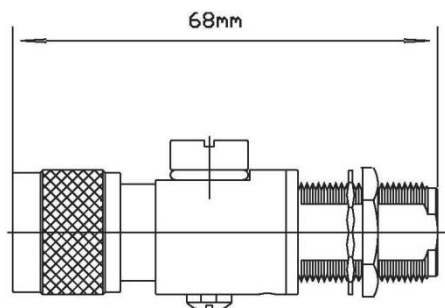
6GHz Lighting Protector – N female to N male



ALRo6 is a Lightning Protector that has the lowest price with the highest quality and extreme value in the industry. The protector provides a protection from 0 to 6 GHz with N-Female to N-Male connector. It's high quality body material is a 100% nickel plated brass that is unlike the common aluminum body material protection devices in the market. It normal protects ships with 90 V DC breakdown voltage which are more than sufficient for wireless installations.

Specification:

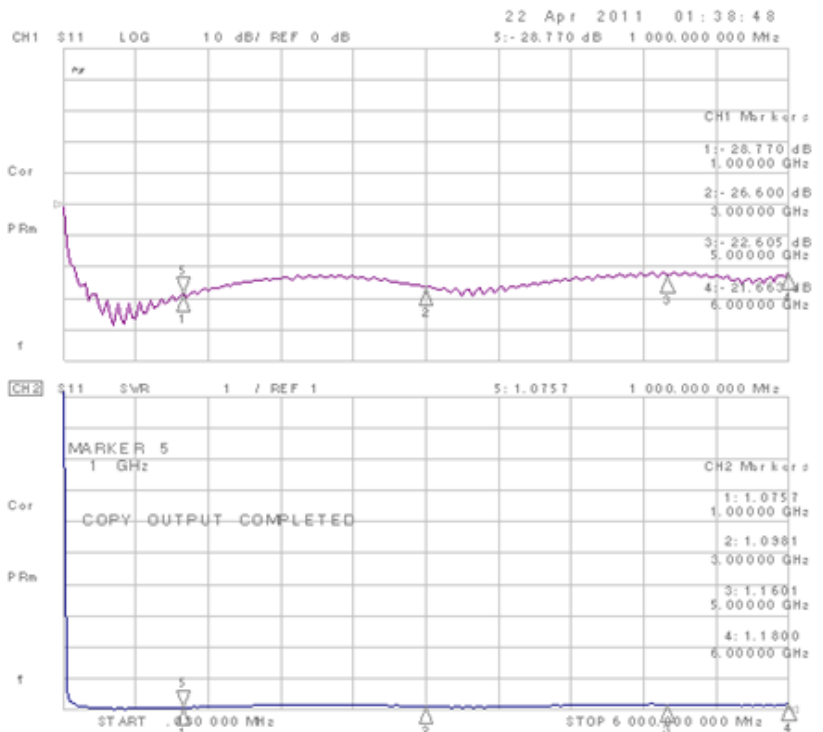
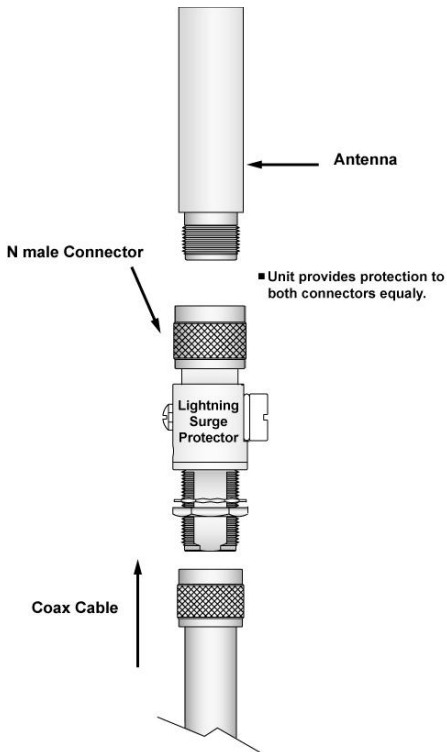
Frequency Range	1 ~ 6GHz
V.S.W.R	< 1.5
Insertion Loss	0.2dB
Independence	50 Ω
Insulation	10,000M Ω
Max. with Standing Current	10 KA @ 8 / 20uS
DC Breakdown Voltage @	90V DC @ 100V /S
Power	50W
Electrode Capacitance	\leq 1.5pF
Weight	110g
Dimension	63 x 40 x 25 mm
Connector	N Female – N male



ALRo6

6GHz Lighting Protector – N female to N male

V.S.W.R



Installation Diagram

For further details:

Alfa Network Inc.,
4F-1 No. 106, Rueiguang Rd.,
Neihu District,
Taipei City, Taiwan.
<http://www.alfa.com.tw>
sales@alfa.com.tw

